

Mini-Dynaflex® II

Models:

- 15002 - Vacuum Tool**
- 15003 - Basic Tool with Drive Wheel**
- 15006 - Versatility Kit**

Air Motor and Machine Parts

⚠ WARNING

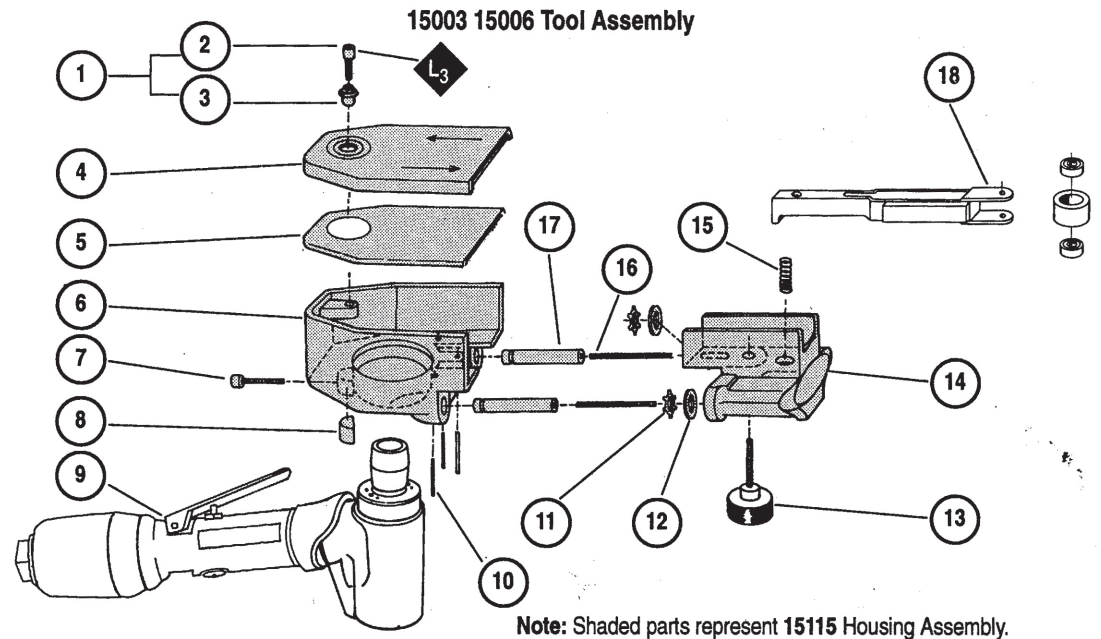
Always operate, inspect and maintain this tool in accordance with the Safety Code for portable air tools (ANSI B186.1) and any other applicable safety codes and regulations. Please refer to Dynabrade's Warning/Safety Operating Instructions for more complete safety information. See inside for Important Operating, Maintenance and Safety Instructions.

New/Updated Parts - Effective Serial Number 7E1200 and Higher

02696 Bearing Replaces 02650 Bearing. • 02673 Rear Bearing Plate Replaces 01474 Rear Bearing Plate. • 02679 Shield added.

Index Key

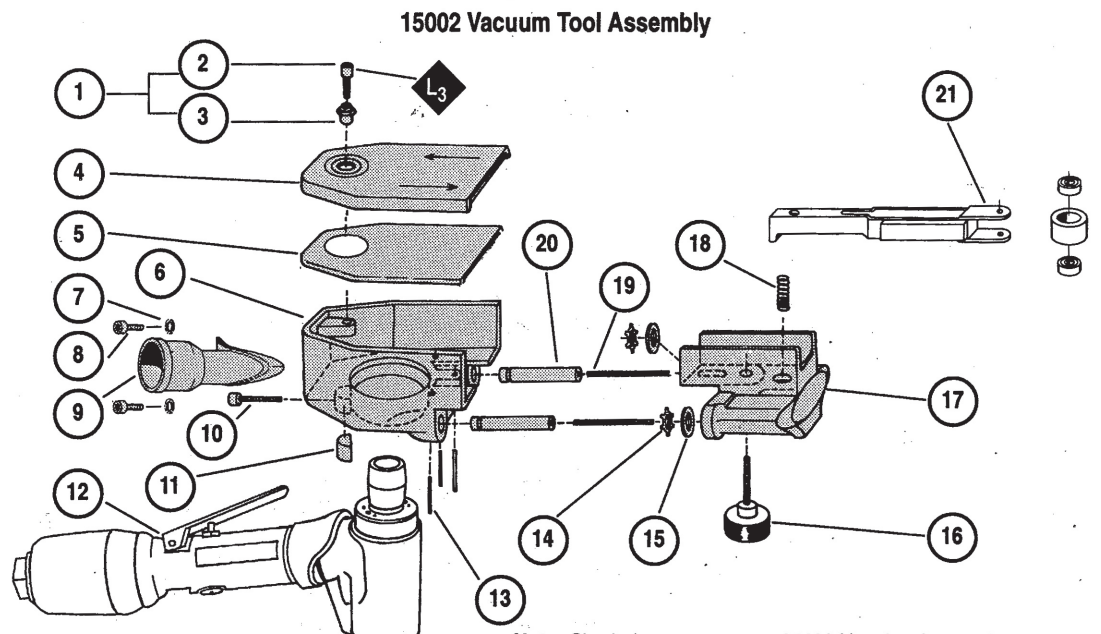
No.	Part #	Description
1	15114	Button Latch Assy. (includes 96084 and 40025)
2	96084	Screw
3	40025	Button
4	15117	Guard (includes 15102)
5	15102	Gasket
6	15100	Housing
7	01788	Motor Lock Screw
8	40029	Motor Lock
9	04115	Air Motor
10	96086	Roll Pin
11	15112	Retainer Clip
12	15110	Wiper
13	15108	Knob
14	15101	Tension Arm
15	11040	Spring
16	96085	Spring (2)
17	15105	Support Shaft (2)
18		Contact Arm Assy. (Refer to page 6)



Note: Shaded parts represent 15115 Housing Assembly.

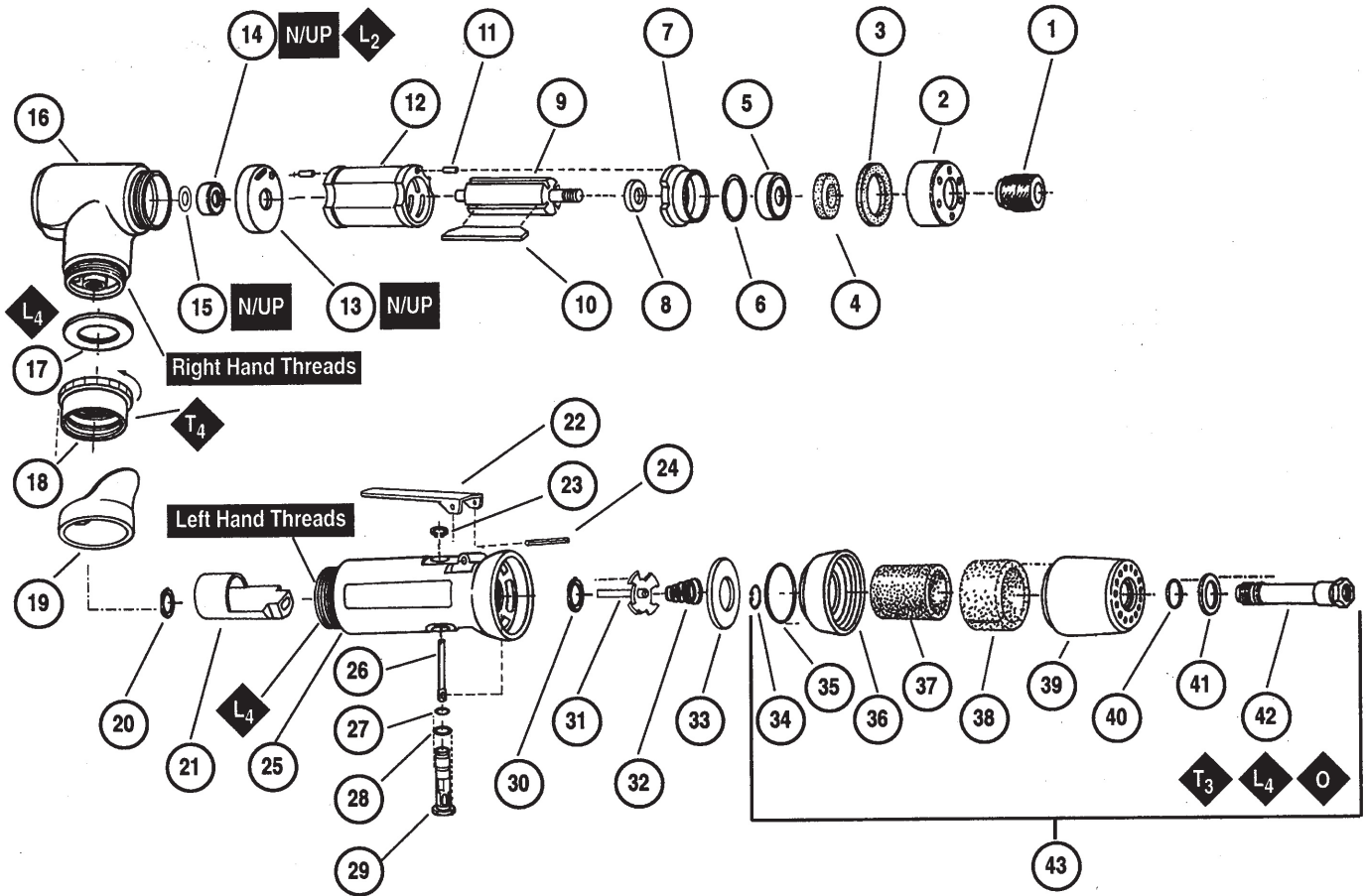
Index Key

No.	Part #	Description
1	15114	Button Latch Assy. (includes 96084 and 40025)
2	96084	Screw
3	40025	Button
4	15117	Guard (includes 15102)
5	15102	Gasket
6	15113	Housing
7	96087	Washer (2)
8	95264	Screw (2)
9	15107	Vac Port
10	01788	Motor Lock Screw
11	40029	Motor Lock
12	04115	Air Motor
13	96086	Roll Pin
14	15112	Retainer Clip
15	15110	Wiper
16	15108	Knob
17	15101	Tension Arm
18	11040	Spring
19	96085	Spring (2)
20	15105	Support Shaft (2)
21		Contact Arm Assy. (Refer to page 6)



Note: Shaded parts represent 15116 Housing Assembly.

04115 Air Motor



Index Key			
No.	Part #	Description	No. Part # Description
1	15118	Drive Wheel	12 01476 Cylinder
2	15106	Exhaust Cover	13 02673 Rear Bearing Plate
3	15111	Silencer	14 02696 Bearing
4	01580	Silencer	15 02679 Shield
5	02649	Bearing	16 01546 Housing
6	54529	Shim Pak (3)	17 01548 Gasket
7	01478	Front Bearing Plate	18 01461 Lock Nut
8	01479	Spacer	19 01558 Collar
9	01475	Rotor	20 95523 O-Ring
10	01480	Blades (4)	21 01470 Insert
11	50767	Pin (2)	22 01448 Throttle Lever
			23 95558 Retaining Ring
			24 12132 Pin
			25 02116 Housing - 15002
			02117 Housing - 15003
			26 01449 Valve Stem
			27 95730 O-Ring
			28 01024 O-Ring
			29 01469 Speed Regulator
			30 01464 Seal
			31 01472 Tip Valve
			32 01468 Spring
			33 01683 Air Control Ring
			34 95711 Retaining Ring
			35 95438 O-Ring
			36 94521 Muffler Base
			37 94524 Sintered Muffler
			38 94525 Felt Muffler
			39 94522 Muffler Cap
			40 95375 O-Ring
			41 94526 Spacer
			42 94523 Inlet Adapter
			43 94520 Muffler Assembly

KEY

Oil
 Grease
 New/Updated Part or Assy.

Loctite/Hernon: L₂ = Loctite #271
 L₃ = Loctite #609, L₄ = Hernon #940

Torque: N•m x 8.85 = In. - lbs.
 T₂ = 17 N•m, T₃ = 23 N•m, T₄ = 28 N•m