

Dynabrade Nitro Series™

6" Electric Random Orbital Buffer

Safety, Operation and Maintenance – Save This Document and Educate All Personnel

Model	Pad Diameter	RPM	Spindle Thread	Orbit
ROB2	6"	2,200 – 5,000	5/16" – 24 Female	21 mm

SANDER/POLISHER



Find The Most Current Offering of Support Documents and Accessories at www.Dynabrade.com

⚠ WARNING

Read and understand this tool manual before operating your tool. Follow all safety rules for the protection of operating personnel as well as adjacent areas. For safety information, refer to Code of Federal Regulation –CFR 29 Part 1910, –Safety Requirements and applicable State and Local Regulations.



Read and understand tool manual before work starts to reduce risk of injury to operator, visitors, and tool.



Eye protection must be worn at all times, eye protection to conform to ANSI Z87.1.



Ear protection to be worn when exposure to sound, exceeds the limits of applicable Federal, State or local statutes, ordinances and/or regulations.



Practice safety requirements. Work alert, have proper attire, and do not operate tools under the influence of alcohol or drugs.



Respiratory protection to be used when exposed to contaminants that exceed the applicable threshold limit values required by law.



Electric shock hazard. Avoid bodily contact with grounded objects, bodies of water. Do not damage cord set.

Some dust created by sanding, grinding, drilling, and other construction activities contain chemicals known to cause cancer, birth defects or other reproductive harm. Some examples of these chemicals are:

- Lead from lead-based paints
- Crystalline silica from bricks and cement and other masonry products
- Arsenic and chromium from chemically treated lumber

Your risk from these exposures varies, depending on how often you do this type of work. To reduce your exposure to these chemicals: work in a well ventilated area, and work with approved safety equipment, such as those dust masks that are specially designed to filter out microscopic particles.

Caution: Hand, wrist and arm injury may result from repetitive work, motion and overexposure to vibration.

Tool Intent: Dynabrade Nitro Series™ Electric Random Orbital Buffer are intended to be used by professional operators and are ideal for buffing and polishing using 6" back-up pads with appropriate sized buffing pads.

GENERAL POWER TOOL SAFETY WARNINGS

⚠ WARNING Read all safety warnings and all instructions. Failure to follow the warnings and instructions may result in electric shock, fire and/or serious injury.

SAVE ALL WARNINGS AND INSTRUCTIONS FOR FUTURE REFERENCE

The term "power tool" in the warnings refers to your mains-operated (corded) power tool or battery-operated (cordless) power tool.

Work Area safety

1. Keep your work area clean and well lit. Cluttered or dark areas invite accidents.
2. Do not operate power tools in explosive atmospheres, such as in the presence of flammable liquids, gases, or dust. Power tools create sparks which ignite the dust or fumes.
3. Keep children and bystanders away while operating a power tool. Distractions can cause you to lose control.

Electrical Safety

1. Power tool plugs must match the outlet. Never modify the plug in any way. Do not use any adapter plugs with earthed (grounded) power tools. Unmodified plugs and matching outlets will reduce risk of electric shock.
2. Avoid body contact with earthed or grounded surfaces such as pipes, radiators, ranges and refrigerators. There is an increased risk of electric shock if your body is earthed or grounded.
3. Do not expose power tools to rain or wet conditions. Water entering a power tool will increase the risk of electric shock.
4. Do not abuse the cord. Never use the cord for carrying, pulling or unplugging the power tool. Keep cord away from heat, oil, sharp edges or moving parts. Damaged or entangled cords increase the risk of electric shock.

(continued on page 2)

Electrical Safety (Continued)

5. When operating a power tool outdoors, use an extension cord suitable for outdoor use. *Use of a cord suitable for outdoor use reduces the risk of electric shock.*
6. If operating a power tool in a damp location is unavoidable, use a residual current device (RCD) protected supply. *Use of an RCD reduces the risk of electric shock.*

Personal Safety

1. Stay alert, watch what you are doing and use common sense when operating a power tool. Do not use power tool while you are tired or under the influence of drugs, alcohol, or medication. *A moment of inattention while operating power tools may result in serious personal injury.*
2. Use personal protective equipment. Always wear eye protection. *Protective equipment such as dust masks, non-skid safety shoes, hard hat, or hearing protection used for appropriate conditions will reduce personal injury.*
3. Prevent unintentional starting. Ensure the switch is in the off-position before connecting to power source and/or battery pack, picking up or carrying the tool. *Carrying power tools with your finger on the switch or energizing power tools that have the switch on invites accidents.*
4. Remove any adjusting key or wrench before turning the power tool on. *A wrench or a key left attached to a rotating part of the power tool may result in personal injury.*
5. Do not overreach. Keep proper footing and balance at all times. *This enables better control of the power tool in unexpected situations.*
6. Dress properly. Do not wear loose clothing or jewellery. Keep your hair, clothing and gloves away from moving parts. *Loose clothes, jewellery or long hair can be caught in moving parts.*
7. If devices are provided for the connection of dust extraction and collection facilities, ensure these are connected and properly used. *Use of dust collection can reduce dust-related hazards.*
8. Do not let familiarity gained from frequent use of tools allow you to become complacent and ignore tool safety principles. *A careless action can cause severe injury within a fraction of a second.*

Power Tool Use and Care

1. Do not force the power tool. Use the correct power tool for your application. *The correct tool will do the job better and safer at the rate for which it was designed.*
2. Do not use the power tool if switch does not turn it on and off. *Any power tool that cannot be controlled with the switch is dangerous and must be repaired.*
3. Disconnect the plug from the power source and/or the battery pack from the power tool before making any adjustments, changing accessories, or storing power tool. *Such preventative safety measures reduce the risk of starting the power tool accidentally.*
4. Store idle power tools out of the reach of children and do not allow persons unfamiliar with the power tool or these instructions to operate the power tool. *Power tools are dangerous in the hands of untrained users.*
5. Maintain power tools. Check for misalignment or binding of moving parts, breakage of parts and any other condition that may affect the power tool's operation. If damaged, have the power tool repaired before use. *Many accidents are caused by poorly maintained power tools.*
6. Keep cutting tools sharp and clean. *Properly maintained cutting tools with sharp cutting edges are less likely to bind and are easier to control.*
7. Use the power tool, accessories and tool bits etc. in accordance with these instructions, taking into account the working conditions and the work to be performed. *Use of the power tool for operations different from those intended could result in a hazardous situation.*
8. Keep handles and grasping surfaces dry, clean and free from oil and grease. *Slippery handles and grasping surfaces do not allow for safe handling and control of the tool in unexpected situations.*

Service

1. Have your power tool serviced by a qualified repair person using only identical replacement parts. This will ensure that the safety of the power tool is maintained.

SPECIFIC SAFETY RULES

Safety Warnings Common for Sanding and Polishing Operations:

1. Hold power tools by insulated gripping surfaces only when performing an operation where the cutting tool may contact hidden wiring or its own cutting accessory cord. *Contact with a "live" wire will make exposed metal parts of the tool "live" and shock the operator.*
2. This power tool is intended to function as a polisher. Read all safety warnings, instructions, illustrations and specifications provided with this power tool. *Failure to follow all instructions listed below may result in electric shock, fire and/or serious injury.*
3. Operations such as grinding, wire brushing, or cutting-off are not recommended to be performed with this power tool. *Operations for which the power tool was not designed may create a hazard and cause personal injury.*
4. Do not use accessories which are not specifically designed and recommended by the tool manufacturer. *Just because the accessory can be attached to your power tool, it does not assure safe operation.*
5. The rated speed of the accessory must be at least equal to the maximum speed marked on the power tool. *Accessories running faster than their rated speed can break and fly apart.*
6. The outside diameter and the thickness of your accessory must be within the capacity rating of your power tool. *Incorrectly sized accessories cannot be adequately guarded or controlled.*
7. Threaded mounting of accessories must match the grinder spindle thread. For accessories mounted by flanges, the arbor hole of the accessory must fit the locating diameter of the flange. *Accessories that do not match the mounting hardware of the power tool will run out of balance, vibrate excessively and may cause loss of control.*
8. Do not use a damaged accessory. Before each use inspect the accessory such as abrasive wheels for chips and cracks, backing pad for cracks, tear or excess wear, wire brush for loose or cracked wires. If power tool or accessory is dropped, inspect for damage or install an undamaged accessory. After inspecting and installing an accessory, position yourself and bystanders away from the plane of the rotating accessory and run the power tool at maximum no-load speed for one minute. *Damaged accessories will normally break apart during this test time.*
9. Wear personal protective equipment. Depending on application, use face shield, safety goggles or safety glasses. As appropriate, wear dust mask, hearing protectors, gloves and workshop apron capable of stopping small abrasive or workpiece fragments. *The eye protection must be capable of stopping flying debris generated by various operations. The dust mask or respirator must be capable of filtering particles generated by your operation. Prolonged exposure to high intensity noise may cause hearing loss.*
10. Keep bystanders a safe distance away from work area. Anyone entering the work area must wear personal protective equipment. *Fragments of workpiece or of a broken accessory may fly away and cause injury beyond immediate area of operation.*
11. Position the cord clear of the spinning accessory. *If you lose control, the cord may be cut or snagged and your hand or arm may be pulled into the spinning accessory.*
12. Never lay the power tool down until the accessory has come to a complete stop. *The spinning accessory may grab the surface and pull the power tool out of your control.*
13. Do not run the power tool while carrying it at your side. *Accidental contact with the spinning accessory could snag your clothing, pulling the accessory into your body.*
14. Regularly clean the power tool's air vents. *The motor's fan will draw the dust inside the housing and excessive accumulation of powdered metal may cause electrical hazards.*
15. Do not operate the power tool near flammable materials. *Sparks could ignite these materials.*
16. Do not use accessories that require liquid coolants. *Using water or other liquid coolants may result in electrocution or shock.*

(continued on page 4)

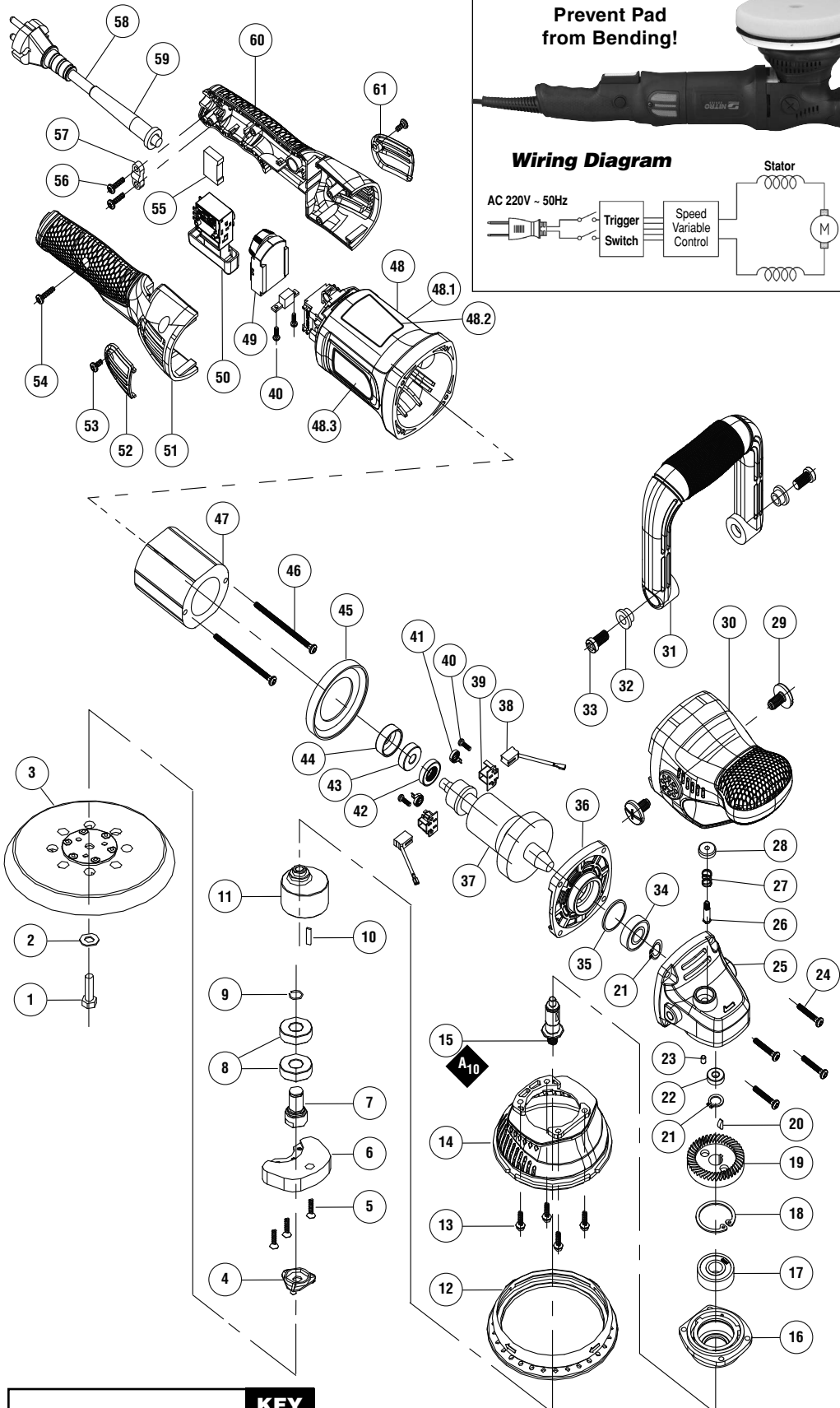
Model
ROB2 - 6" Diameter

Dynabrade Nitro Series™ 6" Electric Random Orbital Buffer Complete Assembly

Correct Resting Position

Prevent Pad from Bending!

Wiring Diagram



Item	Name	Description	QTY
1	55481	Screw	1
2	55482	Washer	1
3	ROBP1	Backup Pad	1
4	55483	Tripod	1
5	55484	Screw	3
6	55485	Counter Balance	1
7	55486	Balancer Shaft	1
8	55487	Bearing	2
9	55488	Spring	1
10	55489	Pin	1
11	55490	Hub/Random Orbital	1
12	55491	Lip Seal	1
13	55492	Screw	4
14	55493	Shroud/Random Orbital	1
15	55431	Spindle	1
16	55433	Cover, Gear Case	1
17	55434	Bearing	1
18	55435	Snap Ring	1
19	55436	Gear	1
20	55437	Key	1
21	55438	Snap Ring	2
22	55439	Bearing	1
23	55440	Pin	1
24	55441	Screw	4
25	55442	Housing, Right Angle	1
26	55445	Shaft, Locking	1
27	55444	Spring	1
28	55446	Cap, Lock	1
29	55447	Screw	2
30	55448	Cover/Handle	1
31	55449	D Handle	1
32	55450	Isolator Ring	2
33	55451	Screw	2
34	55452	Bearing	1
35	55453	O-ring	1
36	55495	Flange, Field Case	1
37	55455	Armature	1
38	55456	Carbon Brush	2
39	55457	Brush Holder	2
40	55458	Screw	4
41	55459	Coil Spring	2
42	55460	Magnet	1
43	55461	Bearing	1
44	55462	Sleeve, Bearing	1
45	55463	Baffle	1
46	55464	Screw	2
47	55496	Stator	4
48	55466	Field Case	1
48.1	55731	Label - Logo	1
48.2	55733	Label - Speed/Safety	1
48.3	55732	Label - Specification	1
49	55499	Speed Controller	1
50	55497	Switch	1
51	55469	Handle, Right	1
52	55470	Dust Cover, Right	1
53	55471	Screw	2
54	55472	Screw	4
55	55473	Capacitor	1
56	55474	Screw	2
57	55475	Clamp, Cord	1
58	55498	Cord	1
59	55477	Strain Relief, Cord	1
60	55478	Handle, Left	1
61	55479	Dust Cover Left	1
	96132	6 mm Hex Key	1

KEY

A Adhesive: A₁₀= Loctite #243

Always follow adhesive manufacturers cleaning and priming recommendations.

Kickback and Related Warnings:

1. Maintain a firm grip on the power tool and position your body and arm to allow you to resist kickback forces. Always use auxiliary handle, if provided, for maximum control over kickback or torque reaction during start-up. The operator can control torque reactions or kickback forces, if proper precautions are taken.
2. Never place your hand near the rotating accessory. Accessory may kickback over your hand.
3. Do not position your body in the area where power tool will move if kickback occurs. Kickback will propel the tool in direction opposite to the wheel's movement at the point of snagging.
5. Use special care when working corners, sharp edges etc. Avoid bouncing and snagging the accessory. Corners, sharp edges or bouncing have a tendency to snag the rotating accessory and cause loss of control or kickback.
6. Do not attach a saw chain woodcarving blade or toothed saw blade. Such blades create frequent kickback and loss of control.

Recommended Diameter of Accessories:

1. The tool is designed for use with 6" Buffing Pads.

Mounting of Buffing Pad:

1. Turn tool off and disconnect from power supply. Fix the spindle with the provided wrench, screw the backing pad onto the spindle and tighten. Place buffing pad on backing pad, engaging the hook and loop securely.

Proper Support for the Workplace:

1. Insure that the workpiece is fixed so that it cannot become a projectile.

TOOL DESCRIPTION

Right Angle Random Orbital Buffer – Is a right angle right angle random orbital electric buffer which includes: a variable speed on/off switch; D handle; a RPM Dial which maintains desired RPM, when under load; and is equipped with an 12 ft. cord set. Tool also includes one set of replacement carbon brushes.

ASSEMBLY and OPERATION INSTRUCTIONS

1. With power source disconnected from tool, securely fasten backing/buffing pad on tool. The rated RPM of the accessory must be equal to or greater than the rated RPM of the tool.
2. Hold tool by the switch handle and the handle cover or D handle. Do Not hold tool by right angle head. Keep hands away from all buffing edges and moving parts.
3. Tool has variable RPM dial on top side of rear switch handle. Dial desired maximum RPM and then proceed to follow step 4.
4. Squeeze variable speed on/off switch on rear switch handle to run tool. Tool's on/off switch may be used as a throttle to fluctuate RPM. To lock tool in "on" position continue to squeeze on/off switch and depress side button. Electronic module maintains specified speed even under load. To disengage tool when locked in "on" position push on/off switch inward.

MAINTENANCE and ACCESSORY CARE INSTRUCTIONS

Important: A preventative maintenance program is recommended whenever portable power tools are used.

- Use only genuine Dynabrade replacement parts to insure quality. To order replacement parts, specify **Model #, Serial # and RPM** of your tool.

Routine Preventative Maintenance:

- Mineral spirits are recommended when cleaning. Do not use on electrical components or clean tool or parts with any solvents or oils containing acids, esters, ketones, chlorinated hydrocarbons or nitro carbons. Compressed air may be used to remove dirt from electrical components.
- **DO NOT** clean or maintain tools with chemicals that have a low flash point (example: WD-40®).
- Visually inspect plugs and cords for frays, visible damage and signs of deterioration. Damaged or worn components must be replaced by qualified personnel to avoid a safety hazard.
- Brush Changing – Unplug tool, to expose brushes remove 4 switch handle screws. Change brushes every 100 hrs. to ensure proper tool function.
- **After maintenance is performed on tool check for excessive tool vibration.**

Handling and Storage of Tool and Accessories:

- Use of tool rests, hangers and/or balancers is recommended.
- **DO NOT** carry tool by cord.
- Protect accessories from exposure to water, solvents, high humidity, freezing temperature and extreme temperature changes.
- Store accessories in protective racks or compartments to prevent damage.
- **DO NOT** rest tool on pad (see page 3 for a photo of the correct resting position).

ONE YEAR WARRANTY

To validate Dynabrade One Year Warranty, you must register each tool at: www.dynabrade.com. Registration of each tool at website is required. Dynabrade will not honor One Year Warranty on unregistered tools. Please view the entire One Year Warranty Policy at www.dynabrade.com.

MACHINE SPECIFICATIONS

Model	Speed	Power	Voltage	Current	Phase	Frequency	Weight	Length	Height
ROB2	2,200-5,000 RPM	1000 W	220V (AC)	5 Amp	1	50Hz	6.4 lb. (2.9 kg)	16" (406 mm)	5" (127 mm)

Visit dynabrade.com for your model's current vibration and sound data.